

inscape



Domain  
US Price List  
March 2017

# Contents

- Product overview 003
- Finishes 004
- Product description 006
- Functional Shelf & Hardware 008
- Storage Boxes 009
- Accessories 011
  - Screens 011**
  - Cushion Tops & Trays 013**
- Technology 014
- Worksurfaces 015
- Worksurface Supports 016

# Conditions of sale

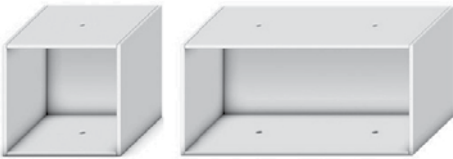
Refer to the [Conditions of Sale](#) document on [inscapesolutions.com](http://inscapesolutions.com).



**Functional shelf**

Widths: 30, 45, 60, 72, 75, 78, 84, 90, 96"

Depth: 15 3/4"

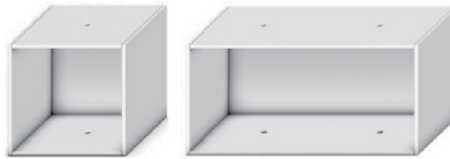


**Open box as a shelf**

Height: 15 3/4"

Widths: 12, 15, 18, 24, 30"

Depth: 15 3/4"



**Open box for power entry**

Height: 15 3/4"

Widths: 12, 15, 18, 24, 30"

Depth: 15 3/4"



**Box with 2 drawers**

Height: 15 3/4"

Widths: 15, 18, 24, 30"

Depth: 15 3/4"



**Box for filing**

Height: 15 3/4"

Widths: 15, 18, 24, 30"

Depth: 15 3/4"



**Screen on-top**

Height: 18"

Widths: 30, 45, 60, 72, 75, 78"



**Screen insert**

Height: 15 3/4"

Widths: 12, 15, 18, 24, 30"



**2-layer cushion top**

Widths: 15, 30"

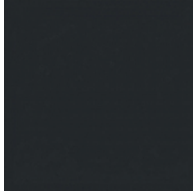
Depths: 15 3/4"

# Finishes

## Standard laminate



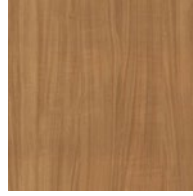
Nova White



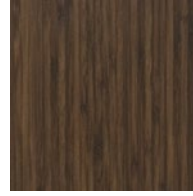
Nova black



Bryan maple



Soho apple



Bio bamboo



Stainless

## Premium laminate



Ocean



Island



Orange grove



Pepper dust



Skyline walnut



Studio teak

## Glass



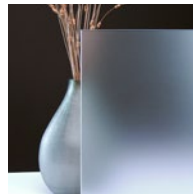
Clear



Grey



Etched 1



Etched 2

## Felt



Lagune



Kiwi



Taubengrau



Anthrazite

Laminate

		Box	Front	Functional shelf	Glass on top	Screen insert	Felt cushion
Nova White	MCC001						
Nova Black	MCC002						
Bryan Maple	MCC003						
Soho Apple	MCC004						
Bio Bamboo	MCC005						
Stainless	MCC006						

Premium laminate

Ocean	MCC100						
Island	MCC101						
Orange Grove	MCC102						
Pepper Dust	MCC103						
Skyline Walnut	MCC104						
Studio Teak	MCC105						

Glass

Clear	CL						
Grey	GLG						
Etched 1	ETC1						
Etched 2	ETC2						

Felt

Lagune	FLT01						
Kiwi	FLT02						
Taubengrau	FLT04						
Anthrazite	FLT05						

Available    Unavailable

# Product description

## Product family

The Domain storage-system program is a modular system consisting of:

- Functional shelves
- Boxes
- Accessories
- Worksurfaces
- Supports

With this simple modular system, many diverse and individual configurations can be created and adapted to changing circumstances and needs at any time. As a modular storage based system, Domain combines the functions of storage space, room zoning, electrical capability and the screening of workplaces.

Domain is:

- Multifunctional
- Individual
- Convertible
- Creative

## Construction features

### Material

Melamine board with particle board core

Material thicknesses:

- Functional shelf 1"
- Carcass boxes ½"
- Front ¾"

## Connection technology

The Domain modules consist of individual combinations of the functional shelves, boxes, worksurfaces and accessories.

The functional shelf has a centrally placed rail made of anodized aluminum. The function rail is used to fix the boxes, accessories and plinth elements in place.

The boxes are equipped with specially developed centered connection fittings.

The 12", 15", 18" wide boxes have 2 connection fittings: 1 x at the top, 1 x at the bottom.

The 24" and 30" wide boxes have 4 connection fittings: 2 x at the top, 2 x at the bottom.

The connection fitting consists of a guide sleeve and a clamping pin. The Domain key or a 6 mm Allen key is required to attach the boxes to the functional shelves. With a quarter turn, the box is attached to the function rails.

The boxes can be attached either facing front or facing back, as they are reversible. Depending on the arrangement and composition of the boxes, open compartments become a design element.

## Positioning

For the positioning of the storage space modules the lowest functional shelf must be fitted with support feet. The appropriate set of support feet is chosen to match the width of the functional shelf. The steel support feet are fixed to the functional shelf and have tool-free adjustment modules to compensate for uneven floors.

## DOMGP4

Set of four 1¾" diameter x ¾" high leveling glide plates. Glide plates are finished P331A Eco Black. These plates may be placed under Domain leveling glides to raise the height of the Domain configuration for leveling purposes. They may also be stacked on top of each other to achieve a greater height. The maximum number of glide plates that may be safely stacked is limited to 4 plates.

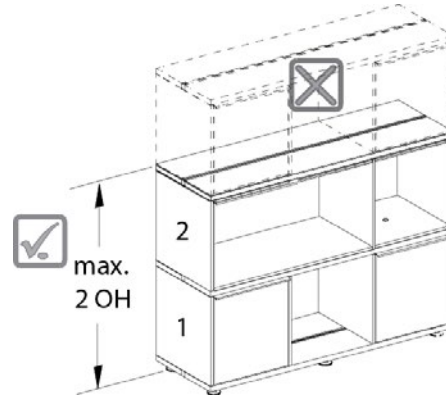
## Linking

To create longer configurations the functional shelves can be linearly linked. For this a linking set must be chosen for each interface. The linking set consists of linking caps and slot nuts, which connect the functional shelves to be linked. Screen inserts cannot be used in places where there is a slot nut.

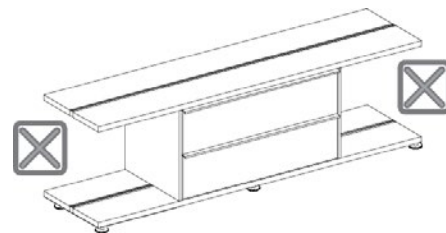
## Basic rules for configurations

The following rules apply:

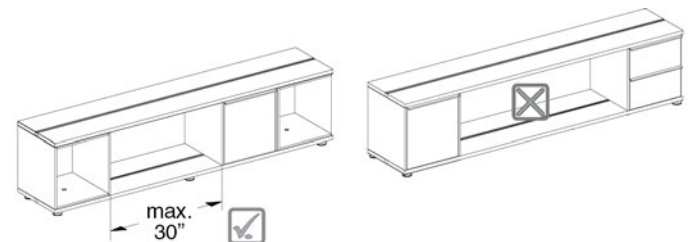
1. The height is limited to a maximum of 2 levels (4 functional shelves)



2. Open compartments must not be on the outside.



3. The maximum width of the open compartments is 30".





## Product features

### **Box as a shelf element**

The shelf element is available as a box in widths of 12", 15", 18", 24" and 30".

### **Box with 2 drawers**

The box with drawers is available in widths of 15", 18", 24" and 30". The steel drawers in eco-black are equipped with full extension telescopic slides. The box also comes with a counterweight as standard that ensures stability. The functional load is limited as follows:

- Box 15" and 18" wide: 11lbs functional load.
- Box 24" and 36" wide: 22lbs functional load.

The drawers have a continuous handle strip made of anodized aluminum. The boxes are optionally available with a lock. Only the top drawer is lockable on box units with 2 drawers.

### **Box for filing**

Pullout drawers and shelves are standard with one pair hangfile bars for side-to-side suspended filing. Optional accessories available. The element also comes with a counterweight that ensures stability. The functional load per drawer is limited as follows:

- File 15" and 18" wide: 22lbs functional load.
- File 24" and 30" wide: 44 lbs functional load.

The front has a continuous handle strip made of anodized aluminum. The elements are optionally available with a lock.

## Accessories

### **Glass Screen on-top**

Screens are available for placement on the top functional shelf. The glass screens are attached by means of an aluminum mounting clamp inserted into the functional rail.

The mounting clamps are fixed in the functional rail by a mechanical connection. The aluminum mounting clamps are included in delivery as standard.

### **Glass Screen Insert**

Glass screens in widths of 12", 15", 18", 24" and 30" are available for use in the open compartments. The inserts are mounted between the functional rails. Plastic profiles inserted in the functional rails at the top and bottom. The plastic profiles are included in delivery as standard. In addition to clear screens, translucent glass screens with applications as decorative inserts are available to choose from in the following designs:

- Etch 1 Side
- Etch 2 Sides
- Grey (Smoked) Glass

Screen inserts cannot be used in places where there is a slot nut.

## Cushion Top

The cushion tops consist of 2 layers of 5 mm thick felt and a foam filling. The lower layer in Graphite Grey has a non-slip coating.

# Functional Shelf & Hardware

## How to order

1. Specify product number.
2. Specify finish.

## Product code key example

### DOMFS-72

**DOM** -Domain  
**FS** -functional shelf  
**72** -width

## General information


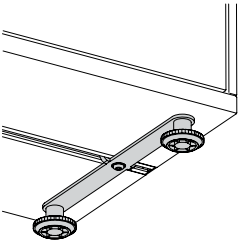
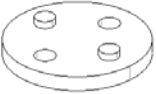
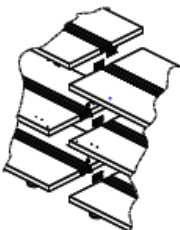
Functional shelves include an anodized aluminum rail on the top and the bottom, this rail is used to fix boxes, worksurfaces, accessories, support feet and linking sets. Support feet are required on all functional shelves in the bottom position.

## Finishes

Functional shelves and storage boxes are available in Nova White or Nova Black laminate. Storage box fronts are available in standard laminate, or premium laminate. See finishes matrix for details.

## Support feet requirements are as follows:

Shelf width	Support feet required	Product Code
30"	2	TERSF2
45"	2	TERSF2
60"	3	TERSF3
72"	3	TERSF3
75"	3	TERSF3
78"	4	TERSF4
84"	4	TERSF4
90"	4	TERSF4
96"	4	TERSF4

Description	Part number	Width	List price
 <p><b>Functional Shelf</b>  <b>Anodized aluminum rail top and bottom used to fix boxes accessories plinth elements (glides and/or link sets)</b>  <b>Comes in Nova Black or Nova White finish options</b></p>	<b>DOMFS-30</b>	30"	\$317
	<b>DOMFS-45</b>	45"	\$366
	<b>DOMFS-60</b>	60"	\$388
	<b>DOMFS-72</b>	72"	\$436
	<b>DOMFS-75</b>	75"	\$444
	<b>DOMFS-78</b>	78"	\$453
	<b>DOMFS-84</b>	84"	\$467
	<b>DOMFS-90</b>	90"	\$484
	<b>DOMFS-96</b>	96"	\$493
	 <p>Plinth element with adjustable black floor glides  each kit comes with a green key</p>	<b>TERSF1</b>	—
<b>TERSF2</b>		—	\$120
<b>TERSF3</b>		—	\$165
<b>TERSF4</b>		—	\$210
 <p>Leveling Glide Plate Kit  set of 4, black</p>	<b>DOMGP4</b>	—	\$34
 <p>Slot nut and linking caps for linear linking  of functional shelves  includes hardware for 3 functional shelves  does NOT disrupt sliding</p>	<b>DOMLINK</b>	—	\$31



## How to order

1. Specify product number.
2. Specify finish.

## Product code key example

### DOMBOX-12

**DOM** –Domain  
**BOX** –storage box  
**12** –width

## General Information



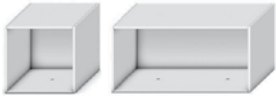

Boxes come in square and rectangular units that are fixed between functional shelves. The boxes are equipped with specially developed centered connection fittings. The 12", 15" and 18" wide boxes have 2 connection fittings: 1 at the top, 1 at the bottom. The 24" and 30" wide boxes have 4 connection fittings: 2 at the top, 2 at the bottom.

## Lock

Drawers come standard without lock. Add \$31 for lock. For boxes with 2 drawers, only the top drawer can lock.

## Finishes

Functional shelves and storage boxes are available in Nova White or Nova Black laminate. Storage box fronts are available in standard laminate, or premium laminate. See finishes matrix for details.

Description	Part number	Width	List price
 Open box with centered connection fitting top & bottom	<b>DOMBOX-12</b>	12"	\$255
	<b>DOMBOX-15</b>	15"	\$290
	<b>DOMBOX-18</b>	18"	\$313
	<b>DOMBOX-24</b>	24"	\$343
	<b>DOMBOX-30</b>	30"	\$366
 Open box with power entry access and centered connection fitting top & bottom	<b>DOMBOXPE-12</b>	12"	\$312
	<b>DOMBOXPE-15</b>	15"	\$357
	<b>DOMBOXPE-18</b>	18"	\$383
	<b>DOMBOXPE-24</b>	24"	\$439
	<b>DOMBOXPE-30</b>	30"	\$470
 Open box with no hole on top and centered connection fitting on bottom	<b>DOMBOXOT-15</b>	15"	\$291
	<b>DOMBOXOT-18</b>	18"	\$312
	<b>DOMBOXOT-24</b>	24"	\$347
	<b>DOMBOXOT-30</b>	30"	\$366
 Open box with back to back shelf and centered connection fitting top & bottom	<b>DOMBOXOBB-12</b>	12"	\$312
	<b>DOMBOXOBB-15</b>	15"	\$357
	<b>DOMBOXOBB-18</b>	18"	\$383
	<b>DOMBOXOBB-24</b>	24"	\$439
	<b>DOMBOXOBB-30</b>	30"	\$470

# Storage Boxes

## How to Order

1. Specify product number
2. Specify finish

## General Information

See Product Features for more information.



## Product code key example

**DOMFDR-15**

**DOM** -Domain  
**FDR** -file drawer  
**15** -width

## Finishes

See finishes matrix for details.

Description	Part number	Height	Width	Laminate	Premium laminate
 2 drawer box with centered connection fitting top and bottom NOTE: only top drawer is locking	<b>DOM2DR-15</b>		15"	\$781	+\$153
	<b>DOM2DR-18</b>		18"	\$822	+\$159
	<b>DOM2DR-24</b>		24"	\$893	+\$164
	<b>DOM2DR-30</b>		30"	\$959	+\$169
 Box with file drawer and centered connection fitting top & bottom	<b>DOMFDR-15</b>		15"	\$653	+\$143
	<b>DOMFDR-18</b>		18"	\$714	+\$148
	<b>DOMFDR-24</b>		24"	\$786	+\$153
	<b>DOMFDR-30</b>		30"	\$847	+\$164

## How to Order

1. Specify product number
2. Specify finish

## General Information

See Product Features for more information.



## Product code key example

**DOMFDR-15**

**DOM** -Domain  
**SGL** -screen glass  
**15** -width

## Finishes

See finishes matrix for details.

Description	Part number	Width	Clear	Grey	Etched 1	Etched 2
 <p>3/8" thick glass screen attaches to the top functional shelf rail with a clamping block</p>	<b>DOMSGL-1830</b>	30"	\$255	+\$357	+\$342	+\$383
	<b>DOMSGL-1845</b>	45"	\$301	+\$454	+\$429	+\$495
	<b>DOMSGL-1860</b>	60"	\$414	+\$618	+\$592	+\$669
	<b>DOMSGL-1872</b>	72"	\$444	+\$684	+\$663	+\$755
	<b>DOMSGL-1875</b>	75"	\$531	+\$791	+\$760	+\$857
	<b>DOMSGL-1878</b>	78"	\$541	+\$806	+\$771	+\$878
	<b>DOMSGL-1884</b>	84"	\$556	+\$842	+\$806	+\$918
	<b>DOMSGL-1890</b>	90"	\$572	+\$878	+\$847	+\$959
	<b>DOMSGL-1896</b>	96"	\$587	+\$908	+\$867	+\$1000
 <p>1/4" thick translucent glass screen insert centered inside open box</p>	<b>DOMSIGL-12</b>	12"	\$57	+\$67	+\$82	+\$113
	<b>DOMSIGL-15</b>	15"	\$62	+\$72	+\$87	+\$118
	<b>DOMSIGL-18</b>	18"	\$67	+\$77	+\$92	+\$123
	<b>DOMSIGL-24</b>	24"	\$87	+\$108	+\$133	+\$184
	<b>DOMSIGL-30</b>	30"	\$102	+\$118	+\$153	+\$220

# Accessories

## Screens

### How to Order

1. Specify product number
2. Specify finish

### General Information

See Product Features for more information.


### Product code key example

#### DOMSW-30

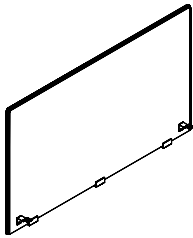
**DOM** -Domain  
**SW** -screen  
**30** -width

### Finishes

See finishes matrix for details.



Description	Part number	Width	Grade A	Grade B	Grade C	Grade D	Grade E	Grade F
	<b>DOMSF-1830</b>	30"	\$516	+\$123	+\$250	+\$326	+\$391	+\$547
	<b>DOMSF-1845</b>	45"	\$607	+\$133	+\$266	+\$345	+\$415	+\$580
	<b>DOMSF-1860</b>	60"	\$755	+\$143	+\$286	+\$372	+\$446	+\$625
	<b>DOMSF-1872</b>	72"	\$771	+\$153	+\$306	+\$398	+\$478	+\$669
	<b>DOMSF-1875</b>	75"	\$852	+\$164	+\$327	+\$425	+\$509	+\$713
	<b>DOMSF-1878</b>	78"	\$873	+\$174	+\$347	+\$451	+\$541	+\$757

Fabric tackable screen  
 attaches to the top functional  
 shelf rail with a clamping block  
 NOTE: See finishes section  
 system/bench price list



Media Screen, 1" thick  
 tackable fabric  
 attaches to the top functional  
 shelf rail with a clamping  
 block and must be used in  
 conjunction with a Trapezoid  
 surface for proper support.

	<b>DOMSFT-4066</b>	66"	\$984	+\$333	+\$533	+\$693	+\$832	+\$1164
--	--------------------	-----	-------	--------	--------	--------	--------	---------

Description	Part number	Width	List price
	<b>DOMSW-1830</b>	30"	\$370
	<b>DOMSW-1845</b>	45"	\$457
	<b>DOMSW-1860</b>	60"	\$590
	<b>DOMSW-1872</b>	72"	\$660
	<b>DOMSW-1875</b>	75"	\$770
	<b>DOMSW-1878</b>	78"	\$792
	<b>DOMCUSH-15</b>	15"	\$290
	<b>DOMCUSH-30</b>	30"	\$566

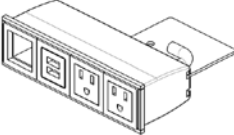


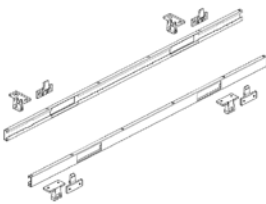
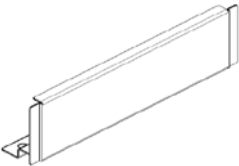
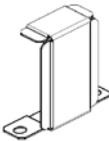

3/4" thick HPL screen  
 attaches to the top functional shelf with a clamping  
 block and has aluminum rail at the top for accepting  
 accessories  
 NOTE: See premium laminate finishes

Felt Cushion Top  
 consists of 2 layers of thick felt and a foam filling. The  
 lower layer has a non-slip coating. The top layer offers  
 several felt colours to choose from.

Description	Part number	List price
 <p>Paper Shelf</p>	<b>DOMPADTRAY</b>	\$145
 <p>Personal Tray</p>	<b>DOMPERTRAY</b>	\$145
 <p>Folder Tray</p>	<b>DOMFOLDTRAY</b>	\$132
 <p>Magazine Tray</p>	<b>DOMMAGSHELF</b>	\$145

## General information

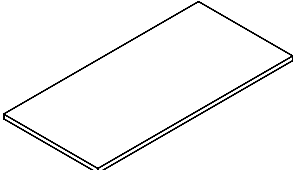
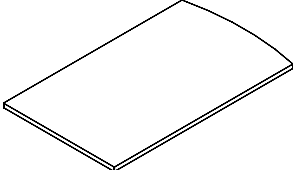
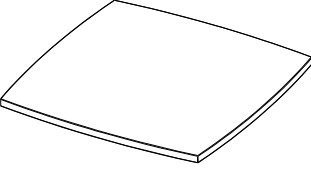
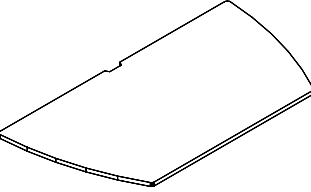
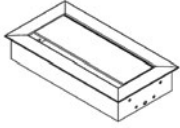
- Power Modules are available in only white.
- The circuit 3 receptacle requires 2+2 or 3+1 wire designation (“U” in the code signifies 3+1 wire configuration compatible)
- Jumper cables do not connect together. H connector blocks need to be specified at each connection point.
- See installation guide for details.
- Electrical module rail kit should match the length of shelf. Module cut outs are fixed 15” from each end of the rail kit. Only comes in P290 Aluminum Leaf finish
- When ordering DOMEMREC, specify finish to match boxes & shelves.

Description	Part number	Width	List price
 Power Module	<b>DOMEPM1-8</b>	—	\$337
	<b>DOMEPM2-8</b>	—	\$337
	<b>DOMEPM3-8</b>	—	\$337
	<b>DOMEPM3U-8</b>	—	\$337
	<b>DOMEPM4-8</b>	—	\$337
Chicago Power Module	<b>DOMEPM-CH</b>	—	\$395
 Jumper Cable	<b>DOMEJP24-8</b>	24”	\$72
	<b>DOMEJP36-8</b>	36”	\$82
	<b>DOMEJP48-8</b>	48”	\$92
	<b>DOMEJP54-8</b>	54”	\$102
	<b>DOMEJP72-8</b>	72”	\$118
Power Infeed 84” long	<b>DOMEPE-8</b>	—	\$150
NY Power Infeed	<b>DOMEPE-NY-8</b>	—	\$184
 H Connector Block	<b>DOMEHBLOCK-8</b>	—	\$23
 Electrical module rail kit	<b>DOMEMRKIT-30</b>	—	\$57
	<b>DOMEMRKIT-45</b>	—	\$77
	<b>DOMEMRKIT-60</b>	—	\$97
	<b>DOMEMRKIT-72</b>	—	\$128
	<b>DOMEMRKIT-75</b>	—	\$138
	<b>DOMEMRKIT-78</b>	—	\$148
	<b>DOMEMRKIT-84</b>	—	\$153
	<b>DOMEMRKIT-90</b>	—	\$159
<b>DOMEMRKIT-96</b>	—	\$174	
 Electrical outlet cover, metal Used when no power module is specified	<b>DOMEOCOVER</b>	—	\$17
 Electrical module rail filler kit for inline application	<b>DOMEMRFIL</b>	—	\$31
 Electrical module rail end cover comes in Nova Black or Nova White finish options	<b>DOMEMREC</b>	—	\$143



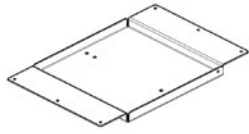
General information

- Worksurface depths are nominal.
- Grommet ordered separately.

Description	Part number	Width	Depth	1/4" Straight edge nuform/laminate	Cutout for grommet	Nuform woodgrain	Nuform woodgrain tapered edge	1" straight edge nuform solid
 <p>Rectangular work surface with the option for grommet</p>	<b>DOMW3060</b>	60"	30"	\$567	+\$16	+\$59	+\$29	-\$58
	<b>DOMW3066</b>	66"	30"	\$604	+\$16	+\$63	+\$32	-\$62
	<b>DOMW3072</b>	72"	30"	\$679	+\$16	+\$70	+\$33	-\$69
	<b>DOMW3078</b>	78"	30"	\$751	+\$16	+\$76	+\$38	-\$75
 <p>Private office work surface curve at one end with the option for grommet</p>	<b>DOMWC3660</b>	60"	36"	\$657	+\$16	+\$69	+\$99	-\$69
	<b>DOMWC3666</b>	66"	36"	\$698	+\$16	+\$72	+\$104	-\$72
	<b>DOMWC3672</b>	72"	36"	\$786	+\$16	+\$79	+\$109	-\$78
	<b>DOMWC3678</b>	78"	36"	\$878	+\$16	+\$86	+\$115	-\$84
 <p>Square round work surface</p>	<b>DOMWCSQ36</b>	36"	36"	\$397	Ñ	+\$38	+\$21	-\$22
 <p>Trapezoid work surface</p>	<b>DOMWT4280</b>	80"	42"	\$1120	Ñ	+\$119	Ñ	-\$94
 <p>Work surface grommet</p>	<b>DOMGROM</b>	8"	4"	\$153	Ñ	Ñ	Ñ	Ñ

# Worksurface Supports


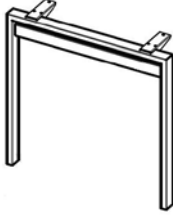
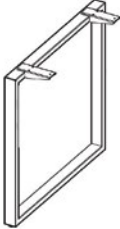
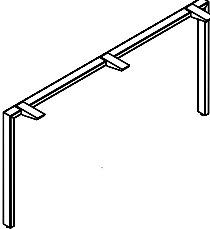
Description	Part number	List price
 <p>Rectangular table support for 30" and 36" depths use 2 to support a Trapezoid surface</p>	<b>DOMWSBRKT30</b> P290 Aluminum Leaf finish only	\$230



Square round table support

**DOMWCSQBRKT** \$92  
P290 Aluminum Leaf finish only

# Worksurface Supports

Description	Part number	Height	Width	Weight (lbs)	List price	
	"H" Leg, Fixed Height	<b>INHLEG3028.5</b>	28.5	30"	11	\$435
		<b>INHLEG3628.5</b>	28.5	36"	12	\$453
	"H" Leg, Adjustable Height	<b>INHLEG30-ADJ</b>	28.5	30"	13	\$527
		<b>INHLEG36-ADJ</b>	28.5	36"	14	\$542
	"O" Leg, Fixed Height	<b>INOLEG3028.5</b>	28.5	30"	15	\$356
		<b>INOLEG3628.5</b>	28.5	36"	16	\$360
	56" w "H" Leg use to support a Trapezoid surface	<b>DOMWSLEG-56</b>	28.5	56"	28	\$276

**inscape**

67 Toll Road  
Holland Landing, Ontario  
L9N 1H2 Canada

T 905 836 7676  
F 905 836 6000

[inscapesolutions.com](http://inscapesolutions.com)

© Inscape Corporation 2016™

® trademarks of Inscape Corporation. Patents may be pending. Certain names, words, logos and graphics or designs contained herein are trademarks or service marks of Inscape Corporation.