

inscape



Domain  
US Price List  
June 2017

# Contents

Product overview	003
Finishes	004
Product description	010
Functional Shelf & Hardware	012
Storage Boxes	013
Accessories	015
<b>Screens</b>	<b>015</b>
<b>Cushion Tops &amp; Trays</b>	<b>017</b>
Technology	018
Worksurfaces	019
Worksurface Supports	020

# Conditions of sale

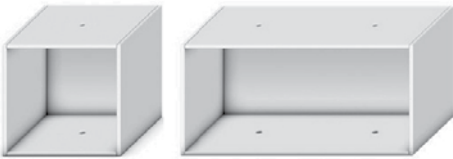
Refer to the [Conditions of Sale](#) document on [inscapesolutions.com](http://inscapesolutions.com).



**Functional shelf**

Widths: 30, 45, 60, 72, 75, 78, 84, 90, 96"

Depth: 15 3/4"

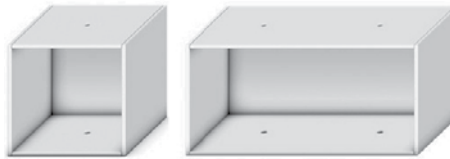


**Open box as a shelf**

Height: 15 3/4"

Widths: 12, 15, 18, 24, 30"

Depth: 15 3/4"



**Open box for power entry**

Height: 15 3/4"

Widths: 12, 15, 18, 24, 30"

Depth: 15 3/4"



**Box with 2 drawers**

Height: 15 3/4"

Widths: 15, 18, 24, 30"

Depth: 15 3/4"



**Box for filing**

Height: 15 3/4"

Widths: 15, 18, 24, 30"

Depth: 15 3/4"



**Screen on-top**

Height: 18"

Widths: 30, 45, 60, 72, 75, 78"



**Screen insert**

Height: 15 3/4"

Widths: 12, 15, 18, 24, 30"



**2-layer cushion top**

Widths: 15, 30"

Depths: 15 3/4"

## Laminate

Laminate is bonded to particleboard; ½” thick for boxes, ¾” thick for fronts and 1” thick for functional shelves.

Laminate can be applied to the following Domain items:

- Boxes\*
- Fronts
- Functional shelves\*
- Top Screens (premium laminate only)

### Laminate (LPL)

Colorways	Product code
Nova White	MCC001
Nova Black	MCC002
Bryan Maple	MCC003
Stainless	MCC006

\*Boxes and functional shelves are only available in Nova White and Nova Black.

### Premium laminate

Colorways	Product code
Ocean	MCC100
Island	MCC101
Orange Grove	MCC102
Pepper Dust	MCC103

## Glass

Glass is ¼” in thickness. The frosted acrylic is frosted on one side. The bronze acrylic is throughout. The branch and dots acrylics are clear with painted patterned on one side.

Glass can be applied to the following Domain items:

- Top Screens
- Screen Inserts

Colorways	Product code
Clear	CL
Grey	GLG
Etched 1	ETC1
Etched 2	ETC2

## Felt

Felt is 5mm thick. The cushions are constructed of two layers of felt with a foam center.

Felt can be applied to the following Domain items:

- Cushions

Colorways	Product code
Lagune	FLT01
Kiwi	FLT02
Taubengrau	FLT04
Anthrazite	FLT05

## Worksurface laminate

Laminate is bonded to 1.25” thick particleboard. The underside of the surface is finished with a wood-fiber veneer backer. Worksurfaces include a 2mm edge banding in a coordinating color. Standard laminate tops do not have optional pencil groove.

Standard laminate can be applied to the following Domain items:

- Rectangular worksurfaces
- Curved end worksurfaces
- Square round worksurfaces

### Standard laminate

Colorways	Product code	Edge color
Wildcherry	LCC-01	Rustic Cherry
Maple	LCC-02	Fusion Maple
White	LCC-07	Designer White
Pumice	LCC-08	Beige
Antique White	LCC-09	Warm White
Pepperdust	LCC-10	Pepperdust
Gray	LCC-12	Folk Stone
Madagascar	LCC-14	Madagascar
Asian Sand	LCC-15	Asian Sand
River Cherry	LCC-16	River Cherry
Wenge	LCC-17	Wenge
Elegant White	LCC-19	Frosty White
Ocean	LCC-20	Ocean
Island	LCC-21	Island
Orange Grove	LCC-22	Orange Grove
Neowalnut	LCC-23	Neowalnut
Asian Night	LCC-24	Asian Night
Beigewood	LCC-25	Beigewood
Harvest Maple	LCC-26	Harvest Maple
Asian Sun	LCC-27	Asian Sun
Lowell Ash	LCC-28	Lowell Ash
Mangalore Mango	LCC-29	Mangalore Mango
Pearwood	LCC-30	Pearwood
Mocha Rosewood	LCC-31	Mocha Rosewood
Brushed Aluminum	LCC-32	Brushed Aluminum
Black	LCC-33	Black
White Cypress	LCC-34	White Cypress
Walnut Heights	LCC-35	Walnut Heights
Studio Teak	LCC-36	Studio Teak
Dove Gray	LCC-38	Dove Gray
Platinum	LCC-39	Platinum
Skyline Walnut	LCC-40	Skyline Walnut
Slate Gray	LCC-41	Slate Gray
Raven	LCC-42	Raven

**LCC-18 is available but is reserved for existing customers due to its different edge banding.**

## Worksurface nuforms

Nuform is a themofoil sheet that is continuously bonded to an MDF substrate. The sheet is surface-coated with a scratch resistant film. The underside of the surface is finished with low-pressure melamine. Nuform worksurfaces have optional pencil groove. No edge banding is required with Nuform because of its unique design, which wraps the foil to the underside of the worksurface.

Nuform solid or woodgrain can be applied to the following Domain items:

- Rectangular worksurfaces
- Curved end worksurfaces
- Square round worksurfaces
- Trapezoid worksurfaces

### Nuform Solid

Colorways	Product code
Warm White	F121
Mist	F122
Sandstone	F123
Frosty White	F127
Designer White	F129

### Nuform Woodgrain

Colorways	Product code
Walnut*	F06
Tannery Maple	F08
Honey Brown	F09
Musique Maple	F10
Jewel Cherry	F11
River Cherry	F16
Urban Walnut	F26
Steel Diecast	F30
Aurora Oak	F32
Obsidian Oak	F34
Palos Mahogany	F35
Ash White	F37
Espresso	F38
Ash Espresso	F39
Swiss Elm	F40
Antique Whitewash	F41
Blonde Maple	F42
Barn Board	F43
Brazilian Nut	F44
Rustic Plank	F45

**\*F06 Walnut has a maximum material width of 46” where all other Nuform is 48”. This finish can not be used on surfaces larger than 42”d.**

## Paint

Standard paint can be applied to the following Domain items:

- Paper shelf
- Personal tray
- Magazine shelf
- Folder tray
- Square round table support\*
- Rectangular table support\*
- H leg
- O leg

\*These items are only available in P290 Aluminum Leaf.

Textured paint can be applied to the following Domain items:

- H leg
- O leg

## Textured colors

Available

Unavailable

**Note: A 10% upcharge is applicable to the net value of the product for textured colors.**

Name	Color code	Textured colors
Bisque	004	
Chinook	010	
Onyx	013	
Frost	022	
Arctic	023	
Champagne	024	
Titanium	052	
Mushroom	055	
Krypton Reflections	063	
Cinder Reflections	066	
Soapstone	112	
Warm White	121	
Mist	122	
Sandstone	123	
Light Taupe	124	
Medium Gray	126	
Nickel Reflections	127	
Slate Reflections	128	
Quartz	160	
Glacier White	168	
Charcoal Gray	205	
Pebble Gray	217	
Deep White	223	
Mocha	255	
Latte	274	
Juniper Reflections	281	
Quicksilver Reflections	282	
Sunstone Reflections	284	
Aluminum Leaf	290	
Sasha	300	
Elson	301	
Shade	302	
Anonymous	303	
Urban	304	
Dorian	305	
Dover	306	
Jubilee	307	
Softer Tan	308	
Storm Cloud	309	
Rice Grain	310	
Ramie	311	
Favorite Tan	312	
High Tea	314	
Stone Reflections	315	
Dovetail Reflections	316	
Yorkshire	317	
Coriander	318	
Snowcap	319	
Salem	320	
Burnt Sierra	321	
Drizzle	322	
Scroll	323	
Cumin	324	
Seagull	325	
Smoke	326	
Gunpowder Blue	327	
Starlight Silver	329	
Martini Reflections	330	
Laminate White	332	
Steel Wool	334	
Kettle Black	335	
White Velvet	336	
Simply White	337	

## Upholstery Fabric Focus Collection

Fabric can be applied to the following Domain

items:

- Top Screens
- Media Screen

## Grade A Couture

Pattern	Product code
Bobbin	U2130
Thread	U2131
Thimble	U2132
Tailor	U2133
Crewel	U2134
Shears	U2135
Basting	U2136
Seam	U2137
Needlework	U2138

## Open House

Pattern	Product code
Green Apple	U1400
Red Delicious	U1401
Onyx	U1402
Slate	U1403
Amber	U1404
Willow	U1405
Straw	U1406
Angora	U1407
Green Olive	U1412
Goose	U1413
Cumin	U1414
Deep Water	U1415
Quarry Blue	U1416
Midnight	U1417
Sunshine	U1419
Asteroid	U1421
Coffee Bean	U1425
Geranium	U1426
Thistle	U1427
Fossil	U1431
Lapis	U1432
Vanilla	U1434
Pumpkin	U1435
Wolf	U1436
Birch	UC2086
Eucalypt	UC2088
Graphite	UC2090
Cobalt	UC2091
Mulberry	UC2092
Pineneedle	UC2095
Aubergine	UC2096

## Pebble

Colorways	Product code
Cape Cod	U1544
Chesil	U1549
Copacabana	U1551
Langkawi	U1542
Mabua	U1541
Maybay	U1545
Negril	U1547
Nice	U1536
Papakolea	U1548
Red Beach	U1550
Schoolhouse	U1540
Siesta	U1538
Sindari	U1535
South Beach	U1539
Surfers Paradise	U1546
Tenerife	U1543
Waikiki	U1537

## Punch Card

Pattern	Product code
Alabaster	U2060
Carbon	U2061
Putty	U2062
Silver Lining	U2063
Crisp	U2064
Sky	U2065
Crimson	U2066
Orange	U2067
Navy	U2068
Cadet	U2069
Burgundy	U2070
Peat	U2071
Abyss	U2072

## Grade B Crossweave

Pattern	Product code
Flax	UW1101
Antelope	UW1102
Mountain	UW1103
Straw	UW1104
Cantaloupe	UW1105
Tangelo	UW1106
Shiraz	UW1107
Flower	UW1108
Alfalfa	UW1109
Parsley	UW1110
Freshwater	UW1111
Lake	UW1112
Atlantic	UW1113
Soapstone	UW1114
Penguin	UW1115
Seal	UW1116

## Eco Wool

Pattern	Product code
Sunlight	U6000
Mesa	U6001
Wildfire	U6002
Volcano	U6003
Grassland	U6004
Lagoon	U6005
Solstice	U6006
Canyon	U6007
Nocturne	U6008
Heather Mist	U6009
Heather Charcoal	U6010
Charcoal Graphite	U6011
Cloudburst	U6012
Orchard	U6013
Forest	U6014
Galaxy	U6015
Coral Reef	U6016
Vineyard	U6017
Deep Sea	U6018
Flower Garden	U6019
Cavern	U6020
Prairie	U6021

## Hem Stitch

Pattern	Product code
Crème	UW2001
Antelope	UW2002
Husk	UW2003
Island	UW2005
Summer	UW2006
Dark Sky	UW2007
Chartreuse	UW2008
Leaf	UW2009
Tangerine	UW2010
Campfire	UW2011
Dove	UW2012
Walrus	UW2014

Grade B Continued

**Manner**

Pattern	Product code
Magic	U5200
Carob	U5201
Porpoise	U5202
Flint	U5203
Hush	U5204
Nuance	U5205
Thicket	U5206
Cocoa	U5207
Pathway	U5208
Cola	U5209
Ember	U5210
Wagon	U5211
Ablaze	U5212
Peel	U5213
Penny	U5214
Butterscotch	U5215
Harvest	U5216
Lioness	U5217
Caper	U5218
Parakeet	U5219
Greenway	U5220
Aquatic	U5221
Cottage	U5222
Dahlia	U5223
Vivid	U5224
Basin	U5225
Schooner	U5226

**Medium**

Pattern	Product code
Raven	U5155
Smoke	U5156
Alloy	U5157
Flax	U5158
Bark	U5159
Espresso	U5160
Pecan	U5161
Pumpkin	U5162
Laser	U5164
Port	U5165
Marina	U5166
Pistachio	U5167
Prospect	U5170
Delight	U5174
Nautical	U5177
Pool	U5178
Washed	U5182
Sculpture	U5183
Thatched	U5184
Hike	U5185
Tangle	U5186
Pacific	U5187
Cosmic	U5188
Cascade	U5189
Blackberry	U5190
Nasturtium	U5191
Wooded	U5192

**Messenger**

Pattern	Product code
Balsa	U5100
Tobacco	U5101
Shadow	U5102
Bayou	U5103
Zinc	U5104
Poppy	U5105
Mao	U5106
Onyx	U5108
Cloud	U5109
Depth	U5110
Nile	U5111
Azure	U5112
Cactus	U5114
Ice	U5115
Neon	U5117
Hydrangea	U5119
Lilac	U5120
Chestnut	U5121
Tangelo	U5122
Lumine	U5123
Snow	U5127
Fennel	U5128
Peridot	U5129
Capri	U5130
Ultramarine	U5131
Squall	U5132
Caccis	U5133
Aster	U5134
Cherry	U5136
Vibrant	U5137
Satsuma	U5138
Maize	U5139
Fossil	U5141
Ash	U5142
Tusk	U5143
Oyster	U5144
Pensive	U5145
Husk	U5146
Fireside	U5147
Chili	U5148
Robust	U5149
Beyond	U5150
Voyage	U5151
Everglade	U5152
Electric	U5153

**Tweed Multi**

Pattern	Product code
Taupe	UW1001
Tan	UW1002
Dark Taupe	UW1003
Yellow	UW1004
Pink	UW1005
Flame	UW1006
Medium Blue	UW1007
Turquoise	UW1008
Dark Blue	UW1009
Green	UW1010
Orange	UW1011
Light Grey	UW1012
Medium Grey	UW1013

Grade C

**Colourful Plaid**

Pattern	Product code
Taupe	UW3101
Brown	UW3102
Red	UW3103
Dark Turquoise	UW3104
Blue	UW3105
Green	UW3106
Orange	UW3107
Light Grey	UW3108
Medium Grey	UW3109
Dark Charcoal	UW3110

# Finishes

---

## Grade D Hexstripe

Pattern	Product code
Dark Taupe	UW4001
Blue	UW4002
Navy	UW4003
Green	UW4004
Red Orange	UW4005
Medium Grey	UW4006

## Tiny Herringbone

Pattern	Product code
Tan	UW4201
Brown	UW4202
Blue Green	UW4203
Blue	UW4204
Medium Grey	UW4205
Dark Charcoal	UW4206

---

## Grade E Tack Cloth

Pattern	Product code
Crème	UW5001
Mouse	UW5002
Butter	UW5003
Port	UW5004
Island	UW5005
Pool	UW5006
Grotto	UW5007
Mariner	UW5008
Chartreuse	UW5009
Frog	UW5010
Walrus	UW5011
Char	UW5012
Tangerine	UW5013
Campfire	UW5014

---

## Grade F Starburst

Pattern	Product code
White	UW6101
Crème	UW6102
Char Brown	UW6103
Yellow Green	UW6104
Red Orange	UW6105
Dark Blue Green	UW6106
Dark Blue	UW6107
Green	UW6108
Dark Charcoal	UW6109



Left blank intentionally.

# Product description

## Product family

The Domain storage-system program is a modular system consisting of:

- Functional shelves
- Boxes
- Accessories
- Worksurfaces
- Supports

With this simple modular system, many diverse and individual configurations can be created and adapted to changing circumstances and needs at any time. As a modular storage based system, Domain combines the functions of storage space, room zoning, electrical capability and the screening of workplaces.

Domain is:

- Multifunctional
- Individual
- Convertible
- Creative

## Construction features

### Material

Melamine board with particle board core

Material thicknesses:

- Functional shelf 1"
- Carcass boxes ½"
- Front ¾"

## Connection technology

The Domain modules consist of individual combinations of the functional shelves, boxes, worksurfaces and accessories.

The functional shelf has a centrally placed rail made of anodized aluminum. The function rail is used to fix the boxes, accessories and plinth elements in place.

The boxes are equipped with specially developed centered connection fittings.

The 12", 15", 18" wide boxes have 2 connection fittings: 1 x at the top, 1 x at the bottom.

The 24" and 30" wide boxes have 4 connection fittings: 2 x at the top, 2 x at the bottom.

The connection fitting consists of a guide sleeve and a clamping pin. The Domain key or a 6 mm Allen key is required to attach the boxes to the functional shelves. With a quarter turn, the box is attached to the function rails.

The boxes can be attached either facing front or facing back, as they are reversible. Depending on the arrangement and composition of the boxes, open compartments become a design element.

## Positioning

For the positioning of the storage space modules the lowest functional shelf must be fitted with support feet. The appropriate set of support feet is chosen to match the width of the functional shelf. The steel support feet are fixed to the functional shelf and have tool-free adjustment modules to compensate for uneven floors.

## DOMGP4

Set of four 1¾" diameter x ¾" high leveling glide plates. Glide plates are finished P331A Eco Black. These plates may be placed under Domain leveling glides to raise the height of the Domain configuration for leveling purposes. They may also be stacked on top of each other to achieve a greater height. The maximum number of glide plates that may be safely stacked is limited to 4 plates.

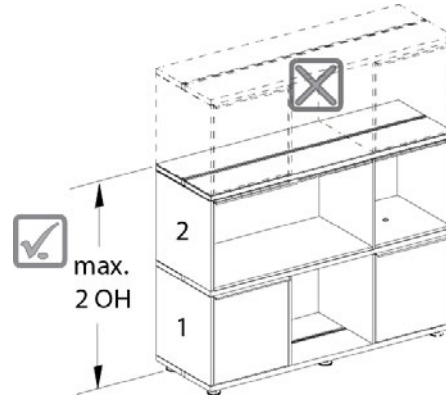
## Linking

To create longer configurations the functional shelves can be linearly linked. For this a linking set must be chosen for each interface. The linking set consists of linking caps and slot nuts, which connect the functional shelves to be linked. Screen inserts cannot be used in places where there is a slot nut.

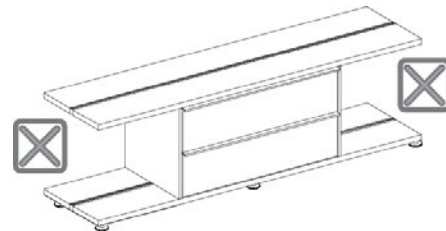
## Basic rules for configurations

The following rules apply:

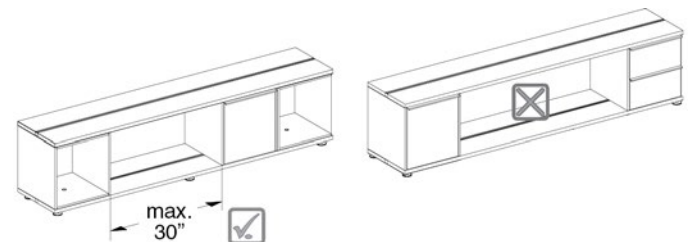
1. The height is limited to a maximum of 2 levels (4 functional shelves)



2. Open compartments must not be on the outside.



3. The maximum width of the open compartments is 30".



## Product features

### **Box as a shelf element**

The shelf element is available as a box in widths of 12", 15", 18", 24" and 30".

### **Box with 2 drawers**

The box with drawers is available in widths of 15", 18", 24" and 30". The steel drawers in eco-black are equipped with full extension telescopic slides. The box also comes with a counterweight as standard that ensures stability. The functional load is limited as follows:

- Box 15" and 18" wide: 11lbs functional load.
- Box 24" and 36" wide: 22lbs functional load.

The drawers have a continuous handle strip made of anodized aluminum. The boxes are optionally available with a lock. Only the top drawer is lockable on box units with 2 drawers.

### **Box for filing**

Pullout drawers and shelves are standard with one pair hangfile bars for side-to-side suspended filing. Optional accessories available. The element also comes with a counterweight that ensures stability. The functional load per drawer is limited as follows:

- File 15" and 18" wide: 22lbs functional load.
- File 24" and 30" wide: 44 lbs functional load.

The front has a continuous handle strip made of anodized aluminum. The elements are optionally available with a lock.

## Accessories

### **Glass Screen on-top**

Screens are available for placement on the top functional shelf. The glass screens are attached by means of an aluminum mounting clamp inserted into the functional rail.

The mounting clamps are fixed in the functional rail by a mechanical connection. The aluminum mounting clamps are included in delivery as standard.

### **Glass Screen Insert**

Glass screens in widths of 12", 15", 18", 24" and 30" are available for use in the open compartments. The inserts are mounted between the functional rails. Plastic profiles inserted in the functional rails at the top and bottom. The plastic profiles are included in delivery as standard. In addition to clear screens, translucent glass screens with applications as decorative inserts are available to choose from in the following designs:

- Clear
- Etch 1 Side
- Etch 2 Sides
- Grey (Smoked)

Screen inserts cannot be used in places where there is a slot nut.

## Cushion Top

The cushion tops consist of 2 layers of 5 mm thick felt and a foam filling. The lower layer in Graphite Grey has a non-slip coating.

# Functional Shelf & Hardware

## How to order

1. Specify product number.
2. Specify finish.

## Product code key example

### DOMFS-72

**DOM** -Domain  
**FS** -functional shelf  
**72** -width

## General information


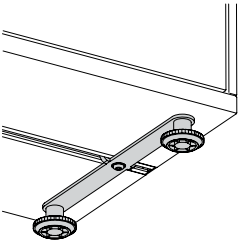
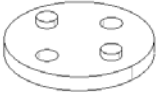
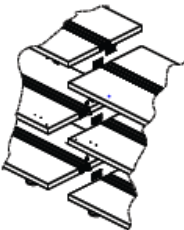
Functional shelves include an anodized aluminum rail on the top and the bottom, this rail is used to fix boxes, worksurfaces, accessories, support feet and linking sets. Support feet are required on all functional shelves in the bottom position.

## Finishes

Functional shelves and storage boxes are available in Nova White or Nova Black laminate only. Storage box fronts are available in laminate (LPL), or premium laminate. See Finishes section of this price list for details.

## Support feet requirements are as follows:

Shelf width	Support feet required	Product Code
30"	2	TERSF2
45"	2	TERSF2
60"	3	TERSF3
72"	3	TERSF3
75"	3	TERSF3
78"	4	TERSF4
84"	4	TERSF4
90"	4	TERSF4
96"	4	TERSF4

Description	Part number	Width	List price
 <p><b>Functional Shelf</b>  <b>Anodized aluminum rail top and bottom used to fix boxes accessories plinth elements (glides and/or link sets)</b>  <b>Only available in Nova Black or Nova White finish options</b></p>	<b>DOMFS-30</b>	30"	\$317
	<b>DOMFS-45</b>	45"	\$366
	<b>DOMFS-60</b>	60"	\$388
	<b>DOMFS-72</b>	72"	\$436
	<b>DOMFS-75</b>	75"	\$444
	<b>DOMFS-78</b>	78"	\$453
	<b>DOMFS-84</b>	84"	\$467
	<b>DOMFS-90</b>	90"	\$484
	<b>DOMFS-96</b>	96"	\$493
 <p>Plinth element with adjustable black floor glides  each kit comes with a green key</p>	<b>TERSF1</b>	—	\$75
	<b>TERSF2</b>	—	\$120
	<b>TERSF3</b>	—	\$165
	<b>TERSF4</b>	—	\$210
 <p>Leveling Glide Plate Kit  set of 4, black</p>	<b>DOMGP4</b>	—	\$34
 <p>Slot nut and linking caps for linear linking  of functional shelves  includes hardware for 3 functional shelves  does NOT disrupt sliding</p>	<b>DOMLINK</b>	—	\$31

## How to order

1. Specify product number.
2. Specify finish.

## Product code key example

### DOMBOX-12

**DOM** –Domain  
**BOX** –storage box  
**12** –width

## General Information



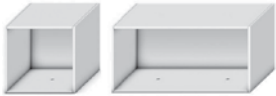

Boxes come in square and rectangular units that are fixed between functional shelves. The boxes are equipped with specially developed centered connection fittings. The 12", 15" and 18" wide boxes have 2 connection fittings: 1 at the top, 1 at the bottom. The 24" and 30" wide boxes have 4 connection fittings: 2 at the top, 2 at the bottom.

## Lock

Drawers come standard without lock. Add \$31 for lock. For boxes with 2 drawers, only the top drawer can lock.

## Finishes

Functional shelves and storage boxes are available in Nova White or Nova Black laminate. Storage box fronts are available in laminate (LPL), or premium laminate. See Finishes section of this price list for details.

Description	Part number	Width	List price
 <p>Open box with centered connection fitting top &amp; bottom</p>	<b>DOMBOX-12</b>	12"	\$255
	<b>DOMBOX-15</b>	15"	\$290
	<b>DOMBOX-18</b>	18"	\$313
	<b>DOMBOX-24</b>	24"	\$343
	<b>DOMBOX-30</b>	30"	\$366
 <p>Open box with power entry access and centered connection fitting top &amp; bottom</p>	<b>DOMBOXPE-12</b>	12"	\$312
	<b>DOMBOXPE-15</b>	15"	\$357
	<b>DOMBOXPE-18</b>	18"	\$383
	<b>DOMBOXPE-24</b>	24"	\$439
	<b>DOMBOXPE-30</b>	30"	\$470
 <p>Open box with no hole on top and centered connection fitting on bottom</p>	<b>DOMBOXOT-15</b>	15"	\$291
	<b>DOMBOXOT-18</b>	18"	\$312
	<b>DOMBOXOT-24</b>	24"	\$347
	<b>DOMBOXOT-30</b>	30"	\$366
 <p>Open box with back to back shelf and centered connection fitting top &amp; bottom</p>	<b>DOMBOXOBB-12</b>	12"	\$312
	<b>DOMBOXOBB-15</b>	15"	\$357
	<b>DOMBOXOBB-18</b>	18"	\$383
	<b>DOMBOXOBB-24</b>	24"	\$439
	<b>DOMBOXOBB-30</b>	30"	\$470

# Storage Boxes

## How to Order

1. Specify product number
2. Specify finish

## Product code key example

**DOMFDR-15**



**DOM** -Domain  
**FDR** -file drawer  
**15** -width

## General Information

See Product Features for more information.

## Finishes

See Finishes section of this price list for details.

Description	Part number	Height	Width	Laminate	Premium laminate
 <p>2 drawer box with centered connection fitting top and bottom            NOTE: only top drawer is locking</p>	<b>DOM2DR-15</b>		15"	\$781	+\$153
	<b>DOM2DR-18</b>		18"	\$822	+\$159
	<b>DOM2DR-24</b>		24"	\$893	+\$164
	<b>DOM2DR-30</b>		30"	\$959	+\$169
 <p>Box with file drawer and centered connection fitting top &amp; bottom</p>	<b>DOMFDR-15</b>		15"	\$653	+\$143
	<b>DOMFDR-18</b>		18"	\$714	+\$148
	<b>DOMFDR-24</b>		24"	\$786	+\$153
	<b>DOMFDR-30</b>		30"	\$847	+\$164

## How to Order

1. Specify product number
2. Specify finish

## General Information

See Product Features for more information.



## Product code key example

**DOMFDR-15**

**DOM** -Domain  
**SGL** -screen glass  
**15** -width

## Finishes

See Finishes section of this price list for details.

Description	Part number	Width	Clear	Grey	Etched 1	Etched 2
 <p>3/8" thick glass screen  attaches to the top  functional shelf rail with  a clamping block</p>	<b>DOMSGL-1830</b>	30"	\$255	+\$357	+\$342	+\$383
	<b>DOMSGL-1845</b>	45"	\$301	+\$454	+\$429	+\$495
	<b>DOMSGL-1860</b>	60"	\$414	+\$618	+\$592	+\$669
	<b>DOMSGL-1872</b>	72"	\$444	+\$684	+\$663	+\$755
	<b>DOMSGL-1875</b>	75"	\$531	+\$791	+\$760	+\$857
	<b>DOMSGL-1878</b>	78"	\$541	+\$806	+\$771	+\$878
	<b>DOMSGL-1884</b>	84"	\$556	+\$842	+\$806	+\$918
	<b>DOMSGL-1890</b>	90"	\$572	+\$878	+\$847	+\$959
<b>DOMSGL-1896</b>	96"	\$587	+\$908	+\$867	+\$1000	
 <p>1/4" thick translucent  glass screen insert  centered inside open  box</p>	<b>DOMSIGL-12</b>	12"	\$57	+\$67	+\$82	+\$113
	<b>DOMSIGL-15</b>	15"	\$62	+\$72	+\$87	+\$118
	<b>DOMSIGL-18</b>	18"	\$67	+\$77	+\$92	+\$123
	<b>DOMSIGL-24</b>	24"	\$87	+\$108	+\$133	+\$184
	<b>DOMSIGL-30</b>	30"	\$102	+\$118	+\$153	+\$220

# Accessories

## Screens

### How to Order

1. Specify product number
2. Specify finish

### General Information

See Product Features for more information.


### Product code key example

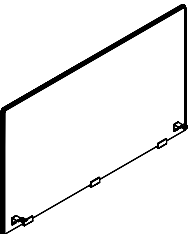
#### DOMSW-30



**DOM** -Domain  
**SW** -screen  
**30** -width

### Finishes

See Finishes section of this price list for details.

Description	Part number	Width	Grade A	Grade B	Grade C	Grade D	Grade E	Grade F
 <p>Fabric tackable screen attaches to the top functional shelf rail with a clamping block            NOTE: See finishes section system/bench price list</p>	<b>DOMSF-1830</b>	30"	\$516	+\$123	+\$250	+\$326	+\$391	+\$547
	<b>DOMSF-1845</b>	45"	\$607	+\$133	+\$266	+\$345	+\$415	+\$580
	<b>DOMSF-1860</b>	60"	\$755	+\$143	+\$286	+\$372	+\$446	+\$625
	<b>DOMSF-1872</b>	72"	\$771	+\$153	+\$306	+\$398	+\$478	+\$669
	<b>DOMSF-1875</b>	75"	\$852	+\$164	+\$327	+\$425	+\$509	+\$713
	<b>DOMSF-1878</b>	78"	\$873	+\$174	+\$347	+\$451	+\$541	+\$757

 <p>Media Screen, 1" thick tackable fabric attaches to the top functional shelf rail with a clamping block and must be used in conjunction with a Trapezoid surface for proper support.</p>	<b>DOMSFT-4066</b>	66"	\$984	+\$333	+\$533	+\$693	+\$832	+\$1164
---	--------------------	-----	-------	--------	--------	--------	--------	---------

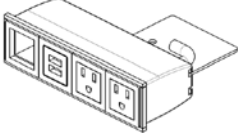
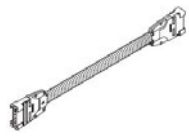

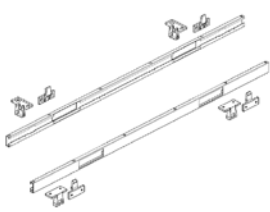
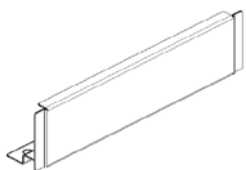
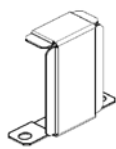

Description	Part number	Width	List price
 <p>¾" thick HPL screen attaches to the top functional shelf with a clamping block and has aluminum rail at the top for accepting accessories            NOTE: See premium laminate finishes</p>	<b>DOMSW-1830</b>	30"	\$370
	<b>DOMSW-1845</b>	45"	\$457
	<b>DOMSW-1860</b>	60"	\$590
	<b>DOMSW-1872</b>	72"	\$660
	<b>DOMSW-1875</b>	75"	\$770
	<b>DOMSW-1878</b>	78"	\$792
 <p>Felt Cushion Top consists of 2 layers of thick felt and a foam filling. The lower layer has a non-slip coating. The top layer offers several felt colours to choose from.</p>	<b>DOMCUSH-15</b>	15"	\$290
	<b>DOMCUSH-30</b>	30"	\$566



Description	Part number	List price
 <p>Paper Shelf</p>	<b>DOMPADTRAY</b>	\$145
 <p>Personal Tray</p>	<b>DOMPERTRAY</b>	\$145
 <p>Folder Tray</p>	<b>DOMFOLDTRAY</b>	\$132
 <p>Magazine Tray</p>	<b>DOMMAGSHELF</b>	\$145

## General information

- Power Modules are available in only white.
- The circuit 3 receptacle requires 2+2 or 3+1 wire designation (“U” in the code signifies 3+1 wire configuration compatible)
- Jumper cables do not connect together. H connector blocks need to be specified at each connection point.
- See installation guide for details.
- Electrical module rail kit should match the length of shelf. Module cut outs are fixed 15” from each end of the rail kit. Only comes in P290 Aluminum Leaf finish
- When ordering DOMEMREC, specify finish to match boxes & shelves.

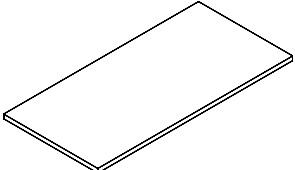
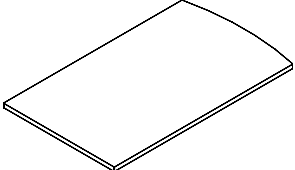
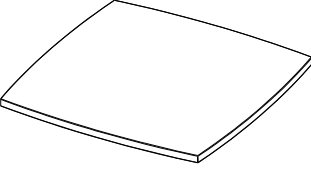
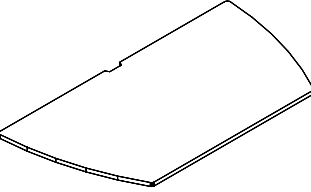
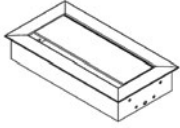
Description	Part number	Width	List price
 Power Module	<b>DOMEPM1-8</b>	—	\$337
	<b>DOMEPM2-8</b>	—	\$337
	<b>DOMEPM3-8</b>	—	\$337
	<b>DOMEPM3U-8</b>	—	\$337
	<b>DOMEPM4-8</b>	—	\$337
Chicago Power Module	<b>DOMEPM-CH</b>	—	\$395
 Jumper Cable	<b>DOMEJP24-8</b>	24”	\$72
	<b>DOMEJP36-8</b>	36”	\$82
	<b>DOMEJP48-8</b>	48”	\$92
	<b>DOMEJP54-8</b>	54”	\$102
	<b>DOMEJP72-8</b>	72”	\$118
Power Infeed 84” long	<b>DOMEPE-8</b>	—	\$150
NY Power Infeed	<b>DOMEPE-NY-8</b>	—	\$184
 H Connector Block	<b>DOMEHBLOCK-8</b>	—	\$23
 Electrical module rail kit	<b>DOMEMRKIT-30</b>	—	\$57
	<b>DOMEMRKIT-45</b>	—	\$77
	<b>DOMEMRKIT-60</b>	—	\$97
	<b>DOMEMRKIT-72</b>	—	\$128
	<b>DOMEMRKIT-75</b>	—	\$138
	<b>DOMEMRKIT-78</b>	—	\$148
	<b>DOMEMRKIT-84</b>	—	\$153
	<b>DOMEMRKIT-90</b>	—	\$159
<b>DOMEMRKIT-96</b>	—	\$174	
 Electrical outlet cover, metal Used when no power module is specified	<b>DOMEOCOVER</b>	—	\$17
 Electrical module rail filler kit for inline application	<b>DOMEMRFIL</b>	—	\$31
 Electrical module rail end cover comes in Nova Black or Nova White finish options	<b>DOMEMREC</b>	—	\$143

General information

- Worksurface depths are nominal
- Grommet ordered separately

Finishes

See Finishes section of this price list for details.

Description	Part number	Width	Depth	1/4" Straight edge nuform/laminate	Cutout for grommet	Nuform woodgrain	Nuform woodgrain tapered edge	1" straight edge nuform solid
	<b>DOMW3060</b>	60"	30"	\$567	+\$14	+\$59	+\$29	-\$58
	<b>DOMW3066</b>	66"	30"	\$604	+\$14	+\$63	+\$32	-\$62
	<b>DOMW3072</b>	72"	30"	\$679	+\$14	+\$70	+\$33	-\$69
	<b>DOMW3078</b>	78"	30"	\$751	+\$14	+\$76	+\$38	-\$75
Rectangular work surface with the option for grommet								
	<b>DOMWC3660</b>	60"	36"	\$657	+\$14	+\$69	+\$99	-\$69
	<b>DOMWC3666</b>	66"	36"	\$698	+\$14	+\$72	+\$104	-\$72
	<b>DOMWC3672</b>	72"	36"	\$786	+\$14	+\$79	+\$109	-\$78
	<b>DOMWC3678</b>	78"	36"	\$878	+\$14	+\$86	+\$115	-\$84
Private office work surface curve at one end with the option for grommet								
	<b>DOMWCSQ36</b>	36"	36"	\$397	—	+\$38	+\$21	-\$22
Square round work surface								
	<b>DOMWT4280</b>	80"	42"	\$1120	—	+\$119	—	-\$94
Trapezoid work surface								
	<b>DOMGROM</b>	8"	4"	\$153	—	—	—	—
Work surface grommet								

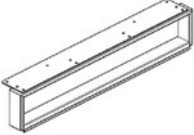
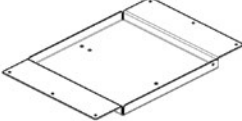
# Worksurface Supports

## General Information

See Product Features for more information.

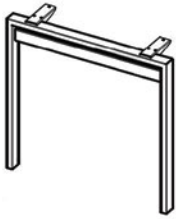
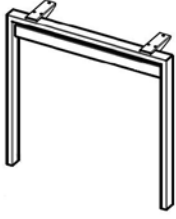
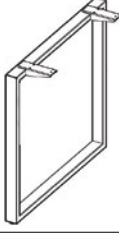
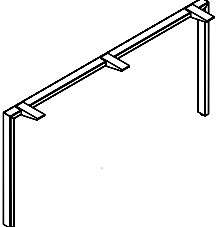
## Finishes

Table supports are available in P290 Aluminum Leaf paint finish only. See Finishes section of this price list for details.

Description	Part number	List price
 <p data-bbox="371 520 722 596">Rectangular table support for 30" and 36" depths use 2 to support a Trapezoid surface</p>	<b>DOMWSBRKT30</b> P290 Aluminum Leaf finish only	\$230
 <p data-bbox="371 764 634 789">Square round table support</p>	<b>DOMWSCSQRKT</b> P290 Aluminum Leaf finish only	\$92

## Finishes

See Finishes section of this price list for details.

Description	Part number	Height	Width	Weight (lbs)	List price
 <p>"H" Leg, Fixed Height</p>	<b>INHLEG3028.5</b>	28.5	30"	11	\$435
	<b>INHLEG3628.5</b>	28.5	36"	12	\$453
 <p>"H" Leg, Adjustable Height</p>	<b>INHLEG30-ADJ</b>	28.5	30"	13	\$527
	<b>INHLEG36-ADJ</b>	28.5	36"	14	\$542
 <p>"O" Leg, Fixed Height</p>	<b>INOLEG3028.5</b>	28.5	30"	15	\$356
	<b>INOLEG3628.5</b>	28.5	36"	16	\$360
 <p>56"w "H" Leg use to support a Trapezoid surface</p>	<b>DOMWSLEG-56</b>	28.5	56"	28	\$276

**inscape**

67 Toll Road  
Holland Landing, Ontario  
L9N 1H2 Canada

T 905 836 7676  
F 905 836 6000

[inscapesolutions.com](http://inscapesolutions.com)

© Inscape Corporation 2016™

® trademarks of Inscape Corporation. Patents may be pending. Certain names, words, logos and graphics or designs contained herein are trademarks or service marks of Inscape Corporation.